

## A Systematic way to increase the Productivity, Consistency, Reliability of Testing of Transformer of all ratings

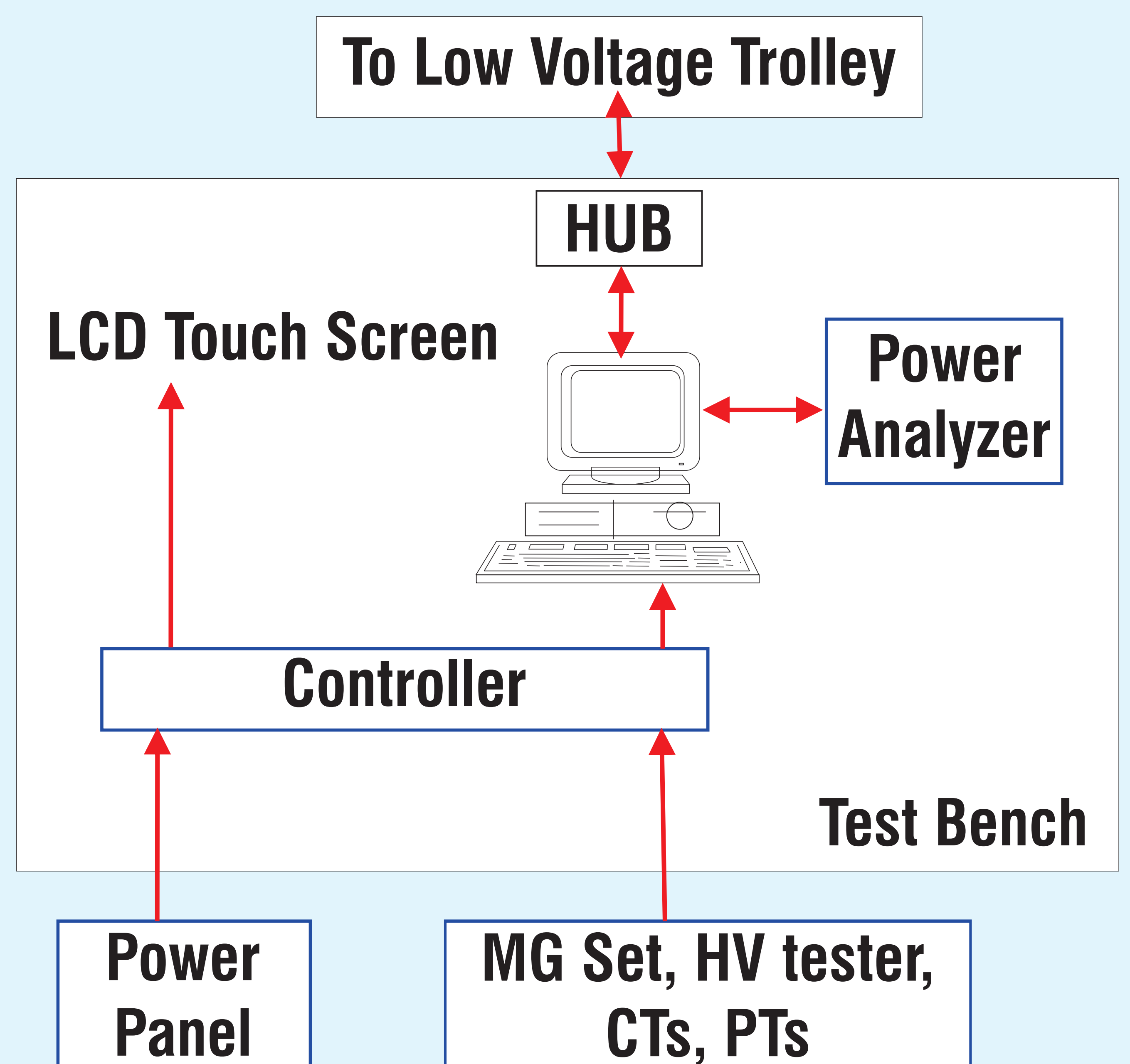
Fully integrated Automated Test Bench is for conducting All Tests. Test Bench connects to a 2 / 3/ 4 winding transformer, acquires on-line data, prints report in full compliance with international standards such as IS, IEC, SABS & ANSI.

### Benefits of Automated Test Bench

- Automatic operation of Dimmer and Generator.
- Automatic Tap Changing.
- Automatic CT PT Tap selection.
- Automatic measuring range selection.
- Automatic & unmanned measurements of Temperatures with Cooling Curve Graph.
- Visualization & Control of all power circuits.
- Eliminates the multiple test lead connections.
- Equipped with world-wide acclaimed Transformer Test Bro (TTBro) software.
- Test Bench allows user to easily store and retrieve data.
- Increases testing productivity significantly by reducing test preparation time, testing process time, and report generation time.
- In-built Protections for user, TUT, Equipments & Instruments.
- Interface with LV Tests Trolley, ensuring printing of full test reports from both places.



TB-P



### Tests Covered By Test Bench

77 Tests ( including Routine, Type, Special & Mechanicals Tests)

**Global Leaders for setting up Integrated & Automated Test Laboratories for Transformers & Motors and Transformer Design Software**